



Al Nada Factory for Air Conditioning and Engineering Industries

# PLENUM BOXES FOR SLOT DIFFUSERS

---

## VK - 100

## VK - 100 Series



### Descriptio

Plenum box type VK - 100 series is designed to ensure equal distribution of air across the slot diffusers. The supply plenum box has acoustic lining to reduce noise generated inside the duct due to airflow turbulence before reaching the diffuser. The built-in damper can be operated from the spigot connection or from face of

### Standard

#### Plenum Box:

Built of galvanized steel sheet gauge 24, conform to ASTM A653, Lock Forming Quality, G90 zinc coating.

#### Insulation:

25 mm thick acoustic lining with black glass tissue facing, 48kg/m<sup>3</sup> density. Acoustic lining is fixed inside the plenum box with non-flammable adhesive and mechanical fastener (cupped head pins).

#### Spigot:

Spigot inlet with damper as standard.

#### Additional Options

1. Spigot inlet without damper.
2. With perforated sheet covering the acoustic liner facing the air stream to prevent damage and fibers erosion. Type: VK - 100P, VK - 110P, VK - 120P, VK - 130P.

3. Plenum box built of stainless steel sheet Type 304. Type: VK - 100S, VK - 110S, VK - 120S, VK -

### Plenum Box with Inlet

#### VK - 110

General construction as type VK - 100 plenum but damper blade is adjustable from face of diffuser.

#### VK - 120

General construction as type VK - 100 plenum but with especial damper adjustable horizontally with damper control on face of diffuser. A plastic tube is fitted to damper control for pressure test if

#### VK - 130

General construction as type VK - 100 plenum but damper blade open or close sideward with damper control on face of diffuser.

## VK 100 SERIES [VK 100, VK 110, VK 120, VK 130]

**Legend:**

1- Casing

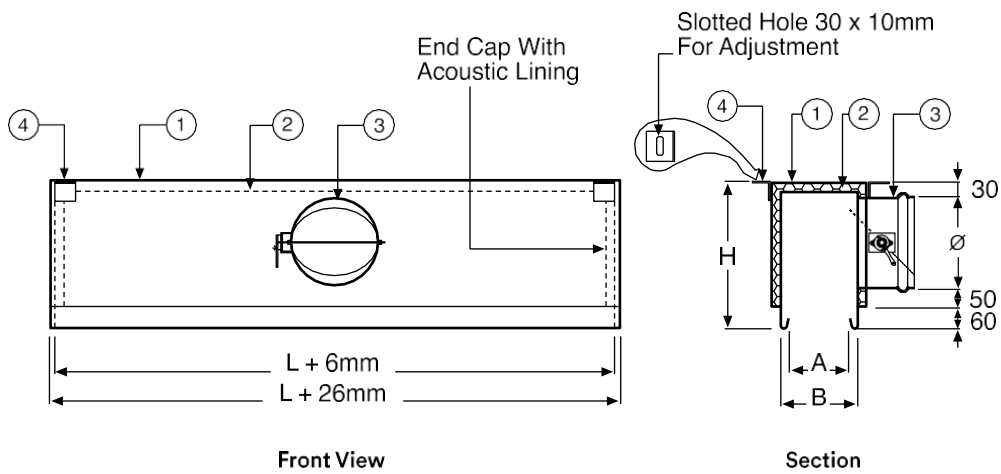
2- Acoustic Lining

3- Spigot Inlet

4- Hanging Bracket

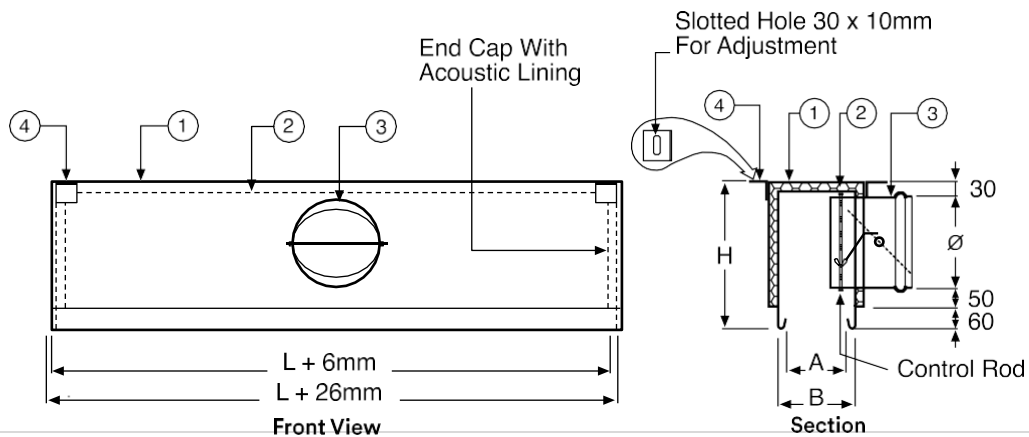
### VK - 100

Spigot inlet with damper and with 25mm thick acoustic lining, density  $48\text{kg/m}^3$  with BGT facing.



### VK - 110

Spigot inlet with damper blade adjustable from the face of diffuser and with 25mm thick acoustic lining, density  $48\text{kg/m}^3$  with BGT facing.



## VK 100 SERIES [VK 100, VK 110, VK 120, VK 130]

### Legend:

1- Casing

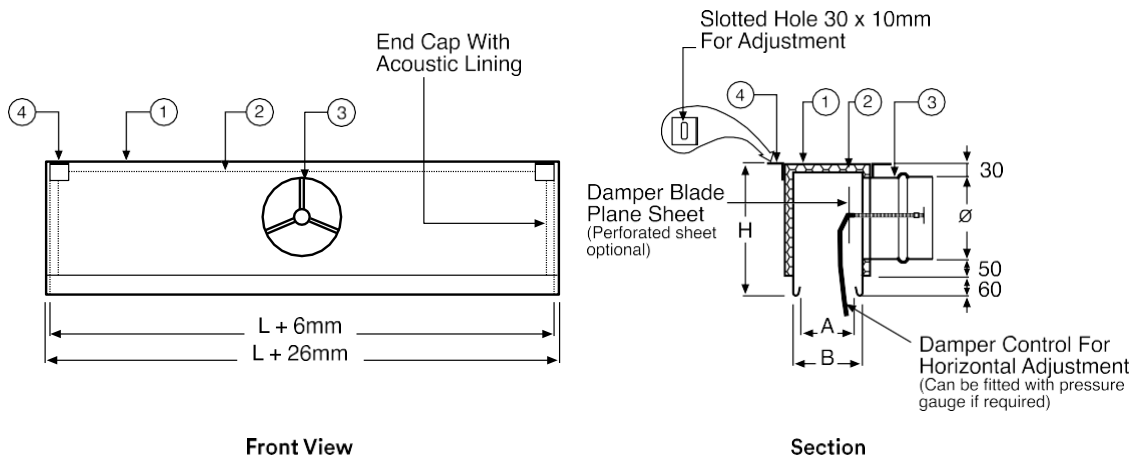
2- Acoustic Lining

3- Spigot Inlet

4- Hanging Bracket

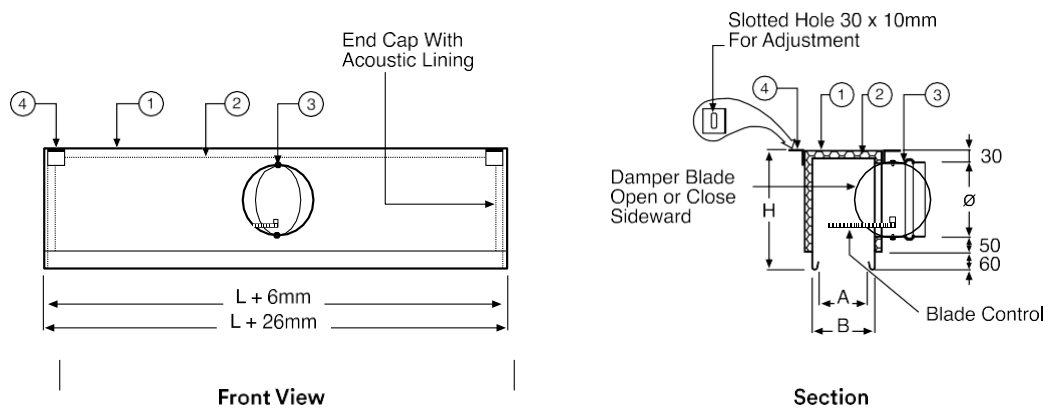
### VK - 120

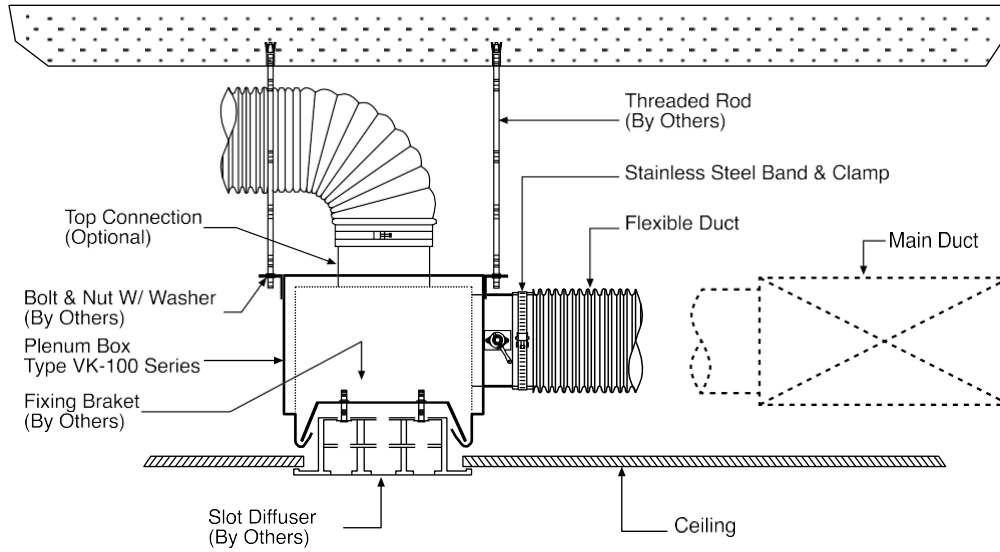
Spigot inlet with especial damper adjustable horizontally with damper control on face of diffuser, with 25mm thick. acoustic lining. A plastic tube is fitted to damper control for pressure test if required.



### VK - 130

Spigot inlet with damper blade open and close sideward adjustable from face of diffuser and with 25mm thick. acoustic lining.





### Sizes of Plenum Box

Diffuser No. of Slots	Diffuser Size A x L (mm)	Plenum Size B x L + 6 (mm)	Spigot Inlet dia (mm)
1	40 x L	60 x L + 6	100
2	78 x L	98 x L + 6	150
3	117 x L	137 x L + 6	200
4	155 x L	175 x L + 6	250
5	193 x L	213 x L + 6	300
6	232 x L	252 x L + 6	350
7	270 x L	290 x L + 6	400
8	309 x L	328 x L + 6	450

### Order Example

